



EVER s.n.c. di ING. CALDI & C.
Via del commercio 2/4
26900 Lodi -Italy
tel. +39-0371-412318
fax +39-0371-412367
mail infoever@everelettronica.it

web www.everelettronica.it

MOTOR TECHNICAL SPECIFICATION

M-06-STP



Red. : Bianchi Mario

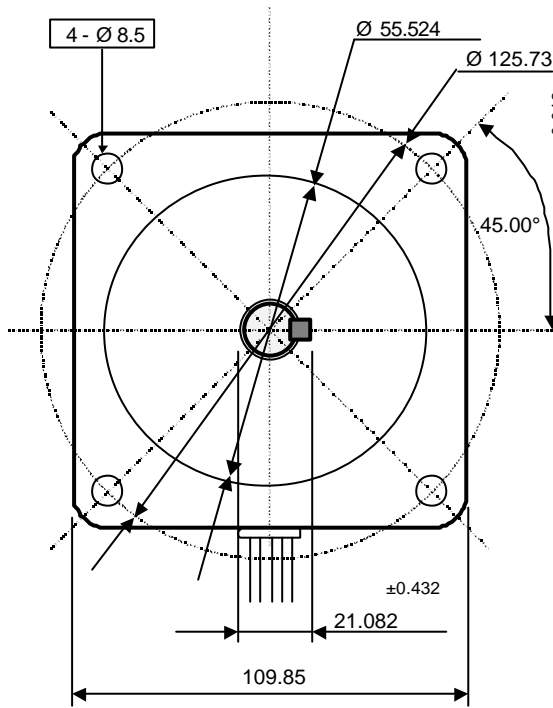
Doc: **HD1000-Stm00273-00** &
HD1000-Stm00266-00

Date : 13/02/2004

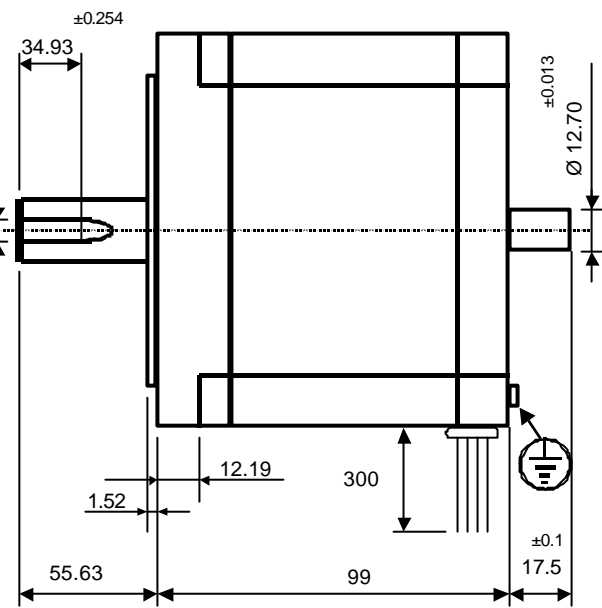
Motor Size	4.2" - 110 mm square	Step Angle	1.8° ±5%
Front Shaft	55.63 mm length - 19.05 mm \bar{A}	Rear Shaft	17.5 mm length - $\bar{\varnothing}$ 6.35mm
# of Lead Wire	# 8 Lead Wires	Lead Wire Length	400 mm
Rated Voltage	2.70 Volts	Rated Current	7.5 Amps/phase
Resistance	0.36 Ohm ±10%	Inductance	3.00 mH ±20%
Winding	Unipolar 8 leads	Holding Torque	11.50 Nm

Mechanical drawings

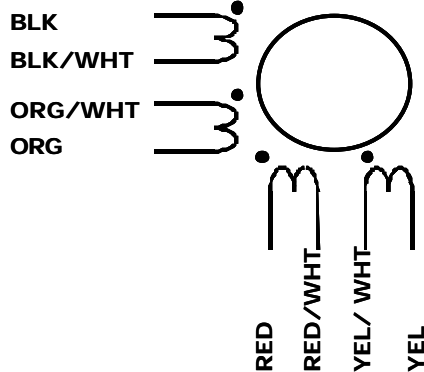
(Dimensions in mm)



Connection lead wires color diagram

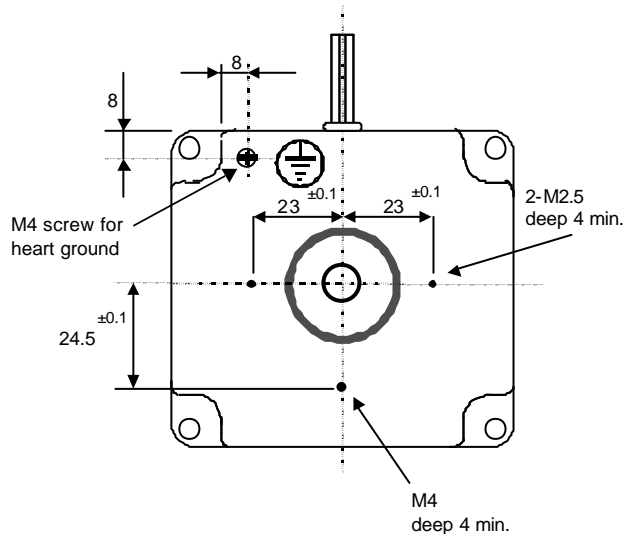
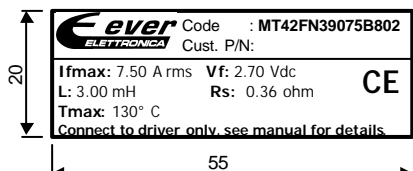


Rear flange



Motor Labelling

Label type: aluminum adhesive label



	MOTOR SPECIFICATION: STM00273	DATE: 10-02-2004	CUSTOMER APPROVAL: _____
	EVER P/N: MT42FN39075B802		CUSTOMER CODE: _____