

Red. : Bianchi Mario

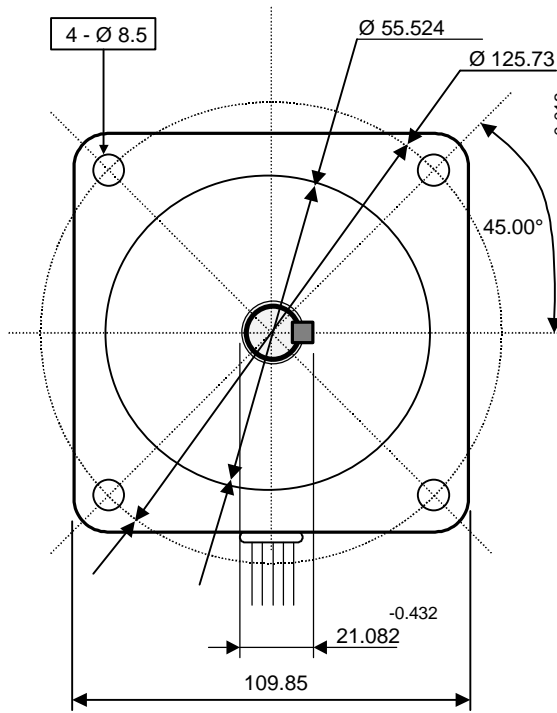
Doc: **HD1000-Stm00273-00** &
HD1000-Stm00266-00

Date : 11/02/2004

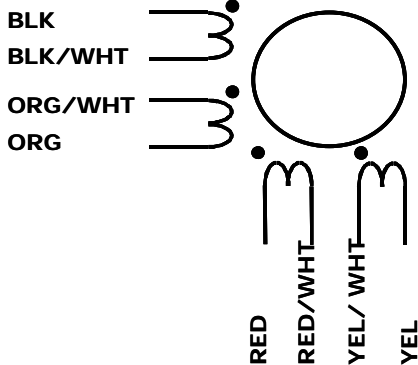
Motor Size	4.2" - 110 mm square	Step Angle	1.8° ±5%
Front Shaft	55.63 mm length – 19.05 mm \bar{A}	Rear Shaft	17.5 mm length – $\bar{\varnothing}$ 6.35mm
# of Lead Wire	# 8 Lead Wires	Lead Wire Length	400 mm
Rated Voltage	2.70 Volts	Rated Current	7.5 Amps/phase
Resistance	0.36 Ohm ±10%	Inductance	3.00 mH ±20%
Winding	Unipolar 8 leads	Holding Torque	11.50 Nm

Mechanical drawings

(Dimensions in mm)

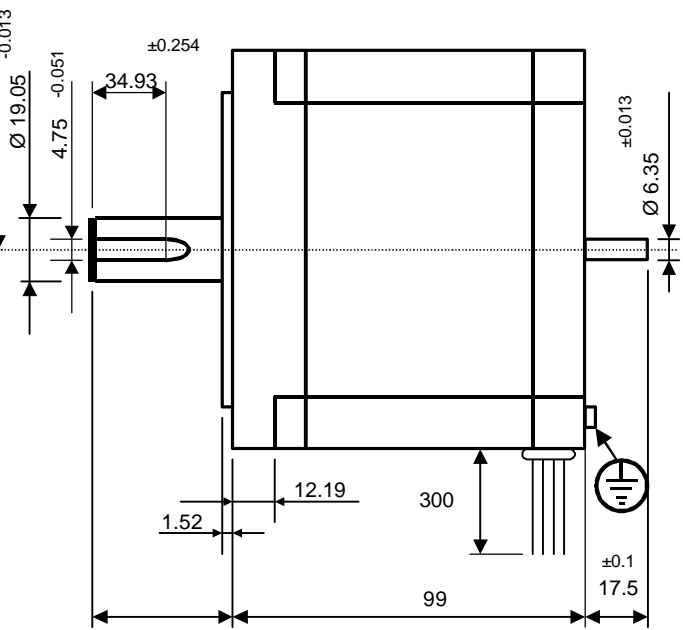
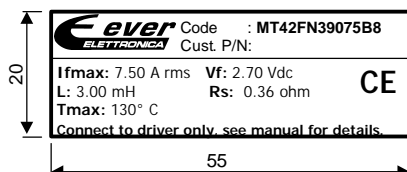


Connection lead wires color diagram

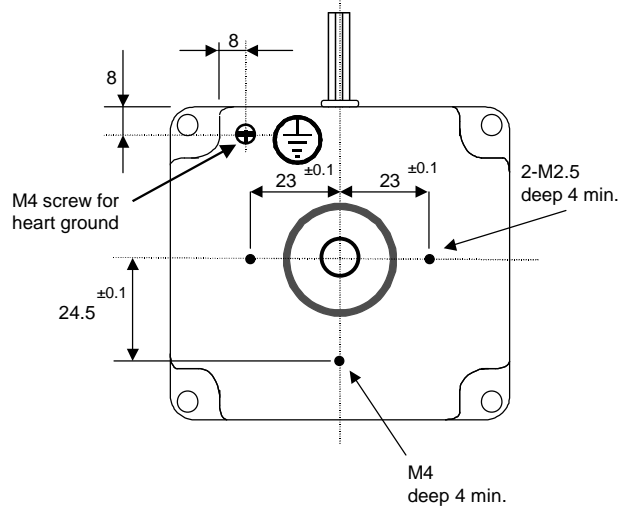


Motor Labelling

Label type: aluminum adhesive label



Rear flange



	MOTOR SPECIFICATION: STM00273 STM00266	DATE: 10-02-2004	CUSTOMER APPROVAL: _____
	EVER P/N: MT42FN39075B8K		CUSTOMER CODE: _____